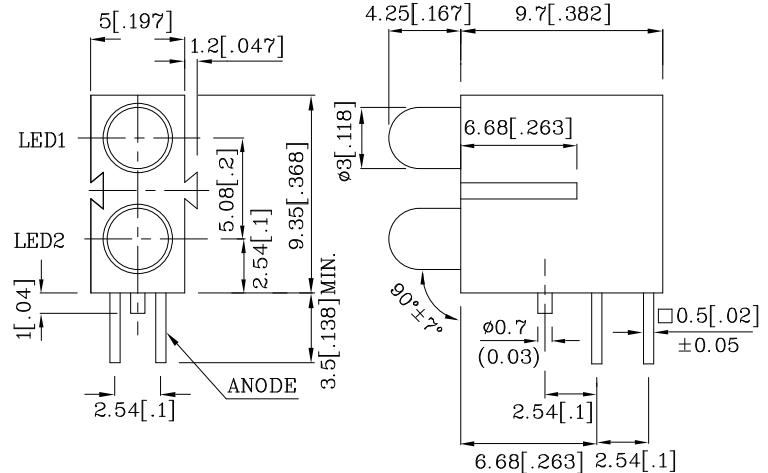


### Features

- PRE-TRIMMED LEADS FOR PC MOUNTING.
- I.C. COMPATIBLE.
- BLACK CASE ENHANCES CONTRAST RATIO.
- WIDE VIEWING ANGLE.
- HIGH RELIABILITY LIFE MEASURED IN YEARS.
- UL RATING : 94V-0.
- HOUSING MATERIAL: TYPE 66 NYLON.
- RoHS COMPLIANT.



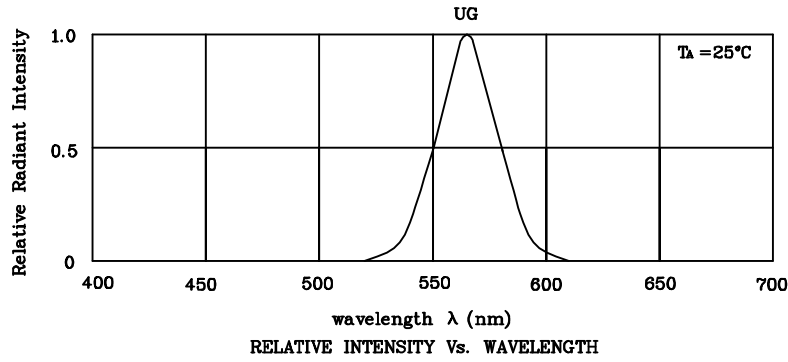
#### Notes:

1. All dimensions are in millimeters (inches).
2. Tolerance is  $\pm 0.25(0.01)$  unless otherwise noted.
3. Specifications are subject to change without notice.

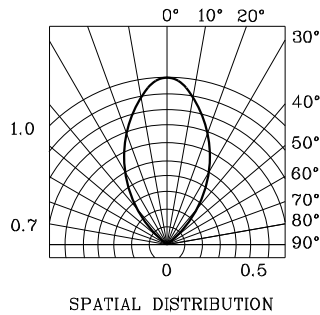
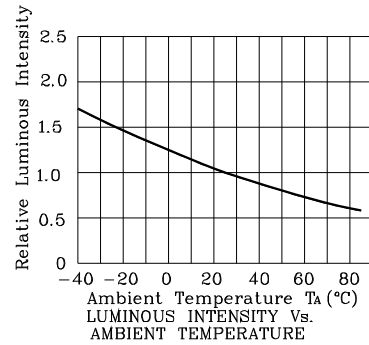
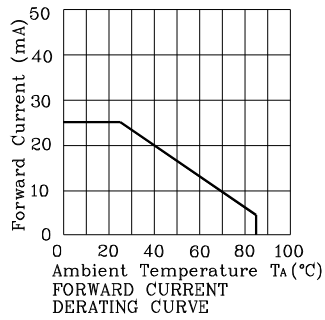
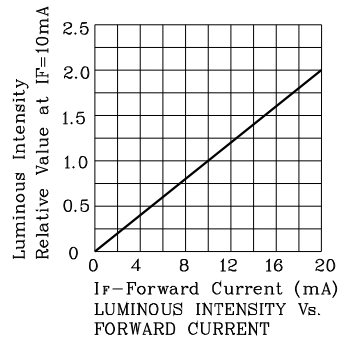
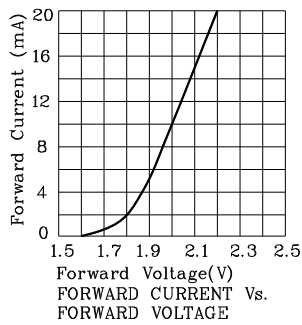
| Absolute maximum ratings<br>(TA=25°C)                          |                     | UG<br>(GaP) | Unit |
|--|---------------------|-------------|------|
| Reverse Voltage  | VR                  | 5           | V    |
| Forward Current  | IF                  | 25          | mA   |
| Forward Current (Peak)<br>1/10 Duty Cycle<br>0.1ms Pulse Width | iFS                 | 140         | mA   |
| Power Dissipation  | PT                  | 62.5        | mW   |
| Operating Temperature  | TA                  | -40 ~ +85   | °C   |
| Storage Temperature  | Tstg                | -40 ~ +85   |      |
| Lead Solder Temperature<br>[2mm Below Package Base]            | 260°C For 3 Seconds |             |      |
| Lead Solder Temperature<br>[5mm Below Package Base]            | 260°C For 5 Seconds |             |      |

| Operating Characteristics<br>(TA=25°C)                          |                 | UG<br>(GaP) | Unit |
|---|-----------------|-------------|------|
| Forward Voltage (Typ.)<br>(IF=10mA)                             | VF              | 2.0         | V    |
| Forward Voltage (Max.)<br>(IF=10mA)                             | VF              | 2.5         | V    |
| Reverse Current (Max.)<br>(VR=5V)                               | IR              | 10          | uA   |
| Wavelength of Peak<br>Emission (Typ.)<br>(IF=10mA)              | $\lambda P$     | 565         | nm   |
| Wavelength of Dominant<br>Emission (Typ.)<br>(IF=10mA)          | $\lambda D$     | 568         | nm   |
| Spectral Line Full Width<br>At Half-Maximum (Typ.)<br>(IF=10mA) | $\Delta\lambda$ | 30          | nm   |
| Capacitance (Typ.)<br>(VF=0V, f=1MHz)                           | C               | 15          | pF   |

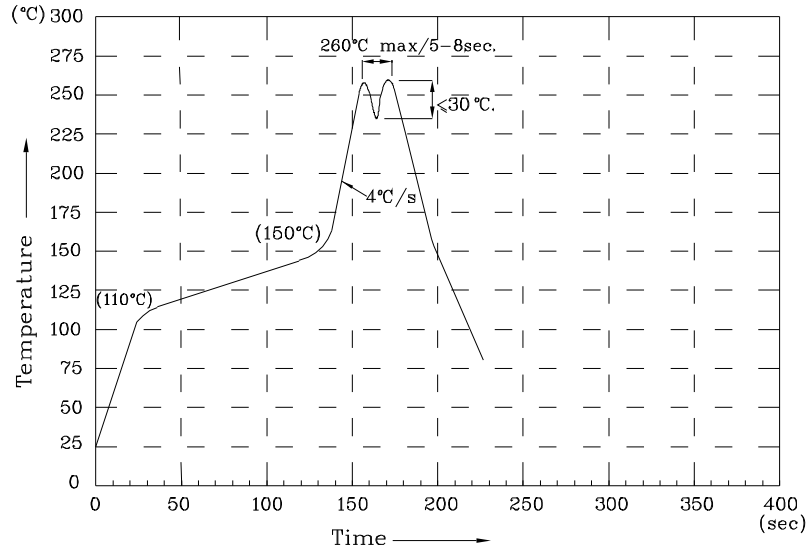
| Part<br>Number  | Emitting<br>Color | Emitting<br>Material | Lens-color     | Luminous<br>Intensity<br>(IF=10mA)<br>mcd |      | Wavelength<br>nm<br>$\lambda P$ | Viewing<br>Angle<br>2 $\theta$ 1/2 |
|---|-------------------|----------------------|----------------|---|------|---------------------------------|------------------------------------|
|   |                   |                      |                | min.                                      | typ. |                                 |                                    |
| XRO2LUG40DRV  | Green             | GaP                  | Green Diffused | 5   | 14   | 565                             | 60°                                |
| Published Date : JAN 16,2008      Drawing No : XDSA7888      V2      Checked : B.L.LIU      P.1/4 |                   |                      |                |   |      |                                 |                                    |



❖ UG



Wave Soldering Profile For Lead-free Through-hole LED.



NOTES:

- 1.Recommend the wave temperature 245°C~260°C.The maximum soldering temperature should be less than 260°C.
- 2.Do not apply stress on epoxy resins when temperature is over 85 degree°C.
- 3.The soldering profile apply to the lead free soldering (Sn/Cu/Ag alloy).
- 4.No more than once.

Remarks:

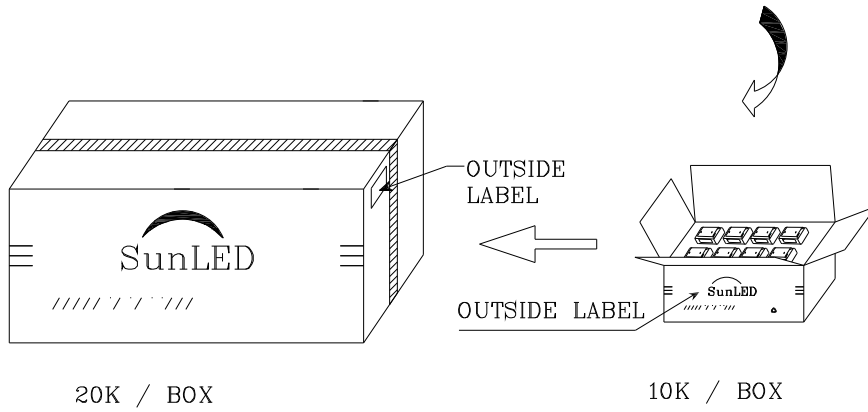
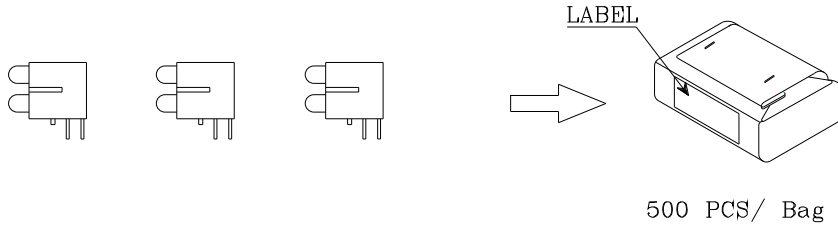

If special sorting is required (e.g. binning based on forward voltage, luminous intensity/ luminous flux, or wavelength), the typical accuracy of the sorting process is as follows:

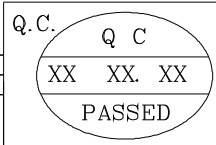

1. Wavelength: +/-1nm
2. Luminous Intensity/ luminous flux: +/-15%
3. Forward Voltage: +/-0.1V

Note: Accuracy may depend on the sorting parameters.

**PACKING & LABEL SPECIFICATIONS**

**XRO2LUG40DRV**

|  |           |
|--|-----------|
|                          |           |
| P/NO : XRO2Lxx40x  | FQC       |
| QTY : 500 pcs  | CODE: XXX |
| S/N : XX   |           |
| LOT NO:  |           |
| <br>XXXXXXXXXXXXXXXXXXXX |           |
| RoHS Compliant   |           |